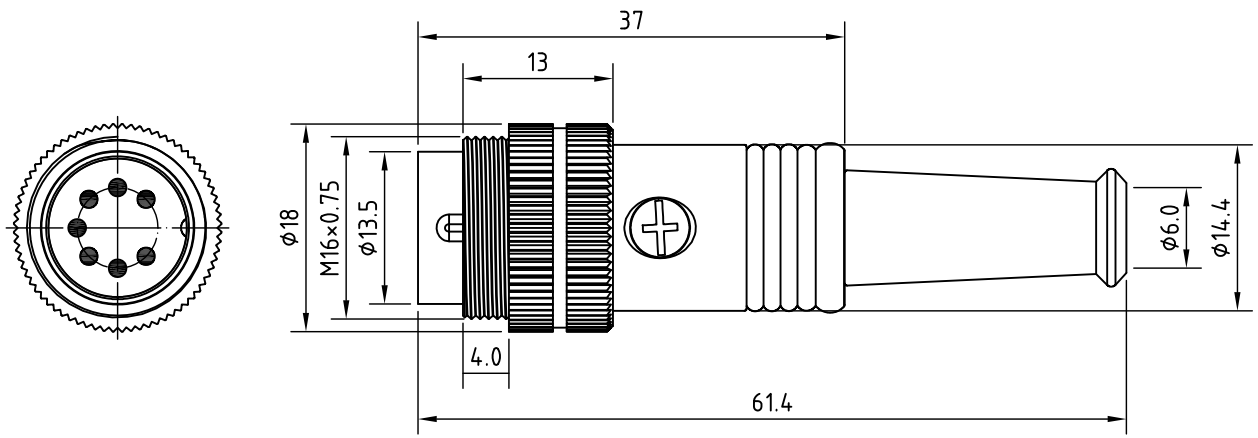


REV.	Description	Date
1	upgrade drawing	2012/4/10



Specification:
 Rating: 100V AC 1A max.
 Contact resistance:
 Pin 30mΩ max.
 Shell 50mΩ max.
 Insulation resistance:
 100MΩ at 500V DC min.
 Voltage withstand:
 250V AC for 1 minute

RoHS
 TOLERANCE X±0.5 X.X±0.3

7	Terminal	Brass	Silver plated
6	Housing	ABS	
5	T Holder	Steel	Nickel plated
4	Set screw	Steel	Nickel plated
3	Strian boot	PVC	
2	Bayonet cap	Zn alloy	Nickel plated
1	Shield cover	Zn alloy	Nickel plated
Item	Description	Material	Treat & Remark

CONTACT ARRANGEMENT FRONT VIEW (MALE)	3P	4P	5AP	5BP	5CP	6P	7P	8AP	8BP



Unicable Co., Ltd. 國陽電業有限公司
 5F., No. 111-33, Sec. 4, San Ho Road, San Chung City, Taiwan, R.O.C.
<http://www.unicable.com.tw> TEL:+886-2-2286-2122 FAX:+886-2-2286-1010

DATE	2016/10/7	PART NO.	UT-A984-XP
DWN	GINA	REV.	1
CHK			
UNIT	MM		

ITEM Push Lock DIN Connector Field Assembled Cable